

# COMPACT HAND CRANK HOSE, CORD OR CABLE STORAGE REELS **112Y SERIES**

**COXREELS® 112Y Series** hand crank hose reels are lightweight, compact, versatile reels to store and maintain your hose or cord. Save time and effort while increasing the safety of your work environment. The standard 112Y reels feature a sturdy “U” shaped frame and all steel construction make this one tough little reel. The 112Y-CM reels have a high quality one piece 1” steel tube frame structure. All listed models are supplied less hose or cord.

## 112Y SERIES MODELS

MODEL	LESS HOSE						PSI	APRX. LBS.	SIZE INDEX
	CABLE I.D.*				HOSE I.D.				
	8/3	10/3	12/3	16/3	3/8"	1/2"			
<b>112Y-4</b>	40	75	150	300	50	30	4,000	10	<b>1</b>
<b>112Y-8</b>	80	135	300	*	100	55	4,000	14	<b>2</b>
<b>112Y-12</b>	150	225	*	*	150	75	4,000	20	<b>3</b>

\*Cable length based on SJ cord type

## 112Y-CM SERIES MODELS - CADDY MOUNT

MODEL	LESS HOSE						PSI	APRX. LBS.	SIZE INDEX
	CABLE I.D.*				HOSE I.D.				
	8/3	10/3	12/3	16/3	3/8"	1/2"			
<b>112Y-8-CM</b>	80	135	300	*	100	55	4,000	13	<b>4</b>
<b>112Y-12-CM</b>	150	225	*	*	150	75	4,000	19	<b>5</b>

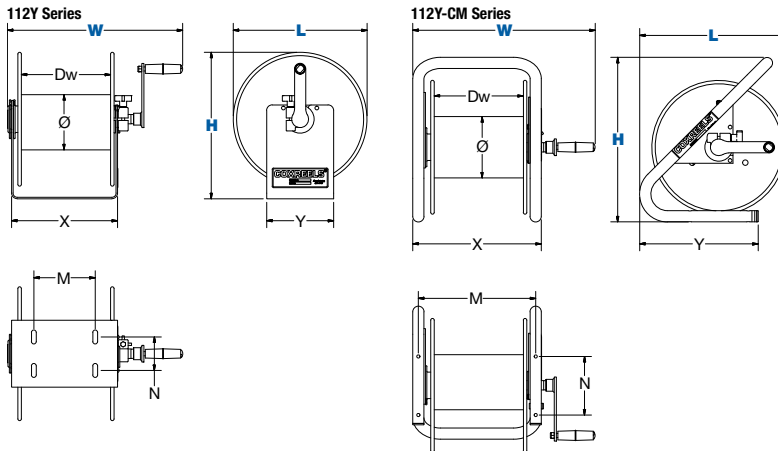
\*Cable length based on SJ cord type

## REEL DIMENSIONS

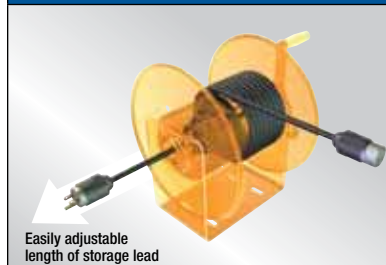
Technical Data Sheets Available On Website

SIZE INDEX	W	H	L	X	Y	M	N	Ø	Dw
<b>1</b>	12 1/4"	13 1/8"	12"	6"	6"	4"	3"	5 1/2"	4 1/2"
<b>2</b>	15 3/4"	13 1/8"	12"	9 1/2"	6"	5 1/2"	3"	5 1/2"	8"
<b>3</b>	20 1/4"	13 1/8"	12"	14"	6"	10"	3"	5 1/2"	12 1/2"
<b>4</b>	16 3/8"	14 3/4"	13"	11 1/2"	10 5/8"	10 1/2"	5 1/4"	5 1/2"	8"
<b>5</b>	20 7/8"	14 3/4"	13"	16"	10 5/8"	15"	5 1/4"	5 1/2"	12 1/2"

Overall Dimensions      Base      Mounting Pattern      Drum



## COXREELS® FEATURE



**The access port & open drum allow for quick & easy use of hose cord or cable**

The open drum & access port lets the hose/cord/cable quickly & easily pass thru to the center of the drum where it can be quickly wrapped up for easy storage.



## 112Y SERIES :: REEL SPECIFICATIONS

### OPEN PORT

- Professional grade, compact & lightweight hand crank reels to store & maintain hose, cord, cable, wire, rope, tape, chain & more.
- Open drum design for no hassle hose wrap
- Open port for easy pass through for any type of hose, cord or cable
- Hose, cord or cable not included.

### DESIGN & STRUCTURE

- Solid one piece 10GA steel “U” shaped frame
- Base has holes for temporary or permanent installation
- Adjustable tension brake to prevent “free-wheeling” during operation, transport or storage
- (On 112Y-CM only) Control bar prevents hose, cord or cable from slipping off the discs
- (On 112Y-CM only) High quality one piece 1” steel tube frame structure
- (On 112Y-CM only) “Caddy Mount” offers convenient portability

### RETRACTION

- Direct hand crank rewind

### SIGNATURE FEATURES

- Professional grade heavy duty steel construction
- Durable proprietary CPC™ powder coat process
- Rolled edges & ribbed discs provide strength & safety
- Leading 2-year manufacturer’s limited warranty
- Made in the U.S.A. - Sold & Supported Worldwide

### POSSIBLE FIELDS OF APPLICATION

- Hose, Cord & Cable Storage      • Mobile or Stationary Units
- Residential/Commercial/Industrial Use

### ACCESSORIZE YOUR REEL :: PG 50

- O-Rings & Swivels      • Hoses
- Assorted Reel Accessories

